

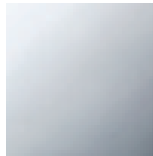


Washbasin - Tara.

Pillar tap cold water - polished chrome

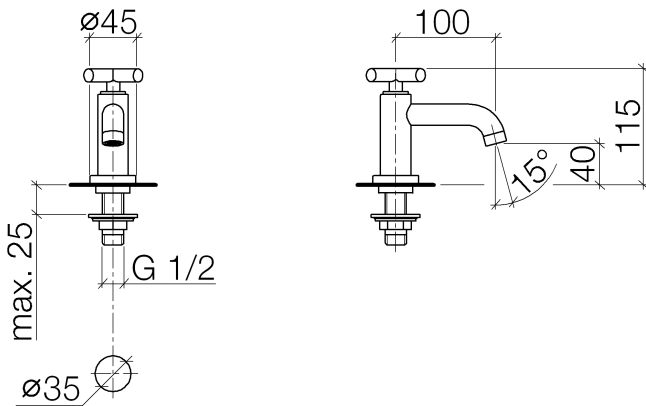
Article number: 17 500 892-00

- 100 mm projection
- fixed spout
- circular, air-enriched flow
- height of mixer 115 mm
- height up to aerator 40 mm
- hole diameter 35 mm
- 1/2" connection
- rosette Ø 45 mm
- max. flow 7 l/min
- lead-free
- Fittings group as per DIN 4109: 1



polished chrome

## Dimensional drawing





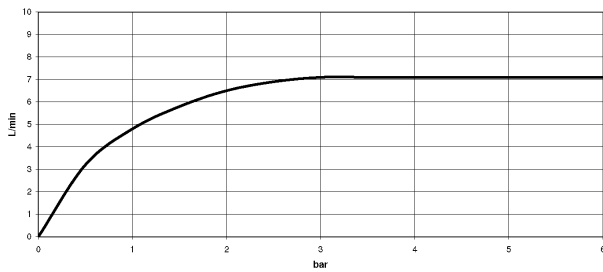
Washbasin - Tara.

Pillar tap cold water - polished chrome

Article number: 17 500 892-00

All details in mm / inch = mm x 0.0394

### Flow rate chart





Washbasin - Tara.

Pillar tap cold water - polished chrome

Article number: 17 500 892-00

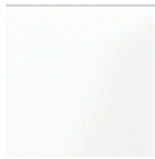
### Other finish variants



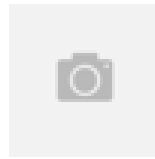
platinum matt  
17 500 892-06



platinum  
17 500 892-08



matt white  
17 500 892-10



brushed Durabrass  
17 500 892-28



matt black  
17 500 892-33



Dark Platinum matt  
17 500 892-99

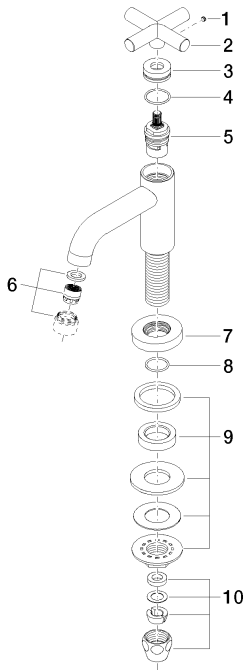
Other finishes on request (x-tra Service)

Washbasin - Tara.

Pillar tap cold water - polished chrome

Article number: 17 500 892-00

### Spare parts list



No.	Item Number	Name	Quantity used
1	09 31 11 055 90	pin	1
2	09 20 89 011-00	handle	1
3	09 21 02 089-00	sleeve	1
4	09 14 10 085 90	seal	1
5	90 90 03 135 00 90	top	1
6	90 23 01 068 01-00	aerator	1
7	09 27 89 106-00	rosette	1
8	09 14 10 032 90	seal	1
9	04 23 10 010 88 90	fixing set	1
10	04 23 30 040 00-00	threaded connector	1